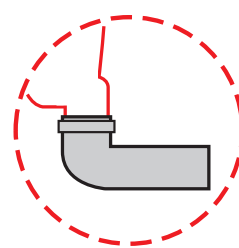
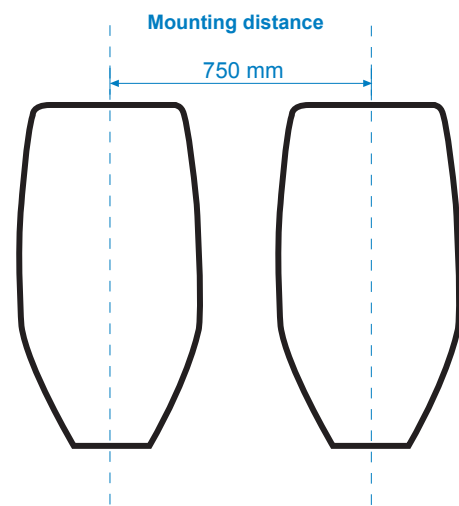
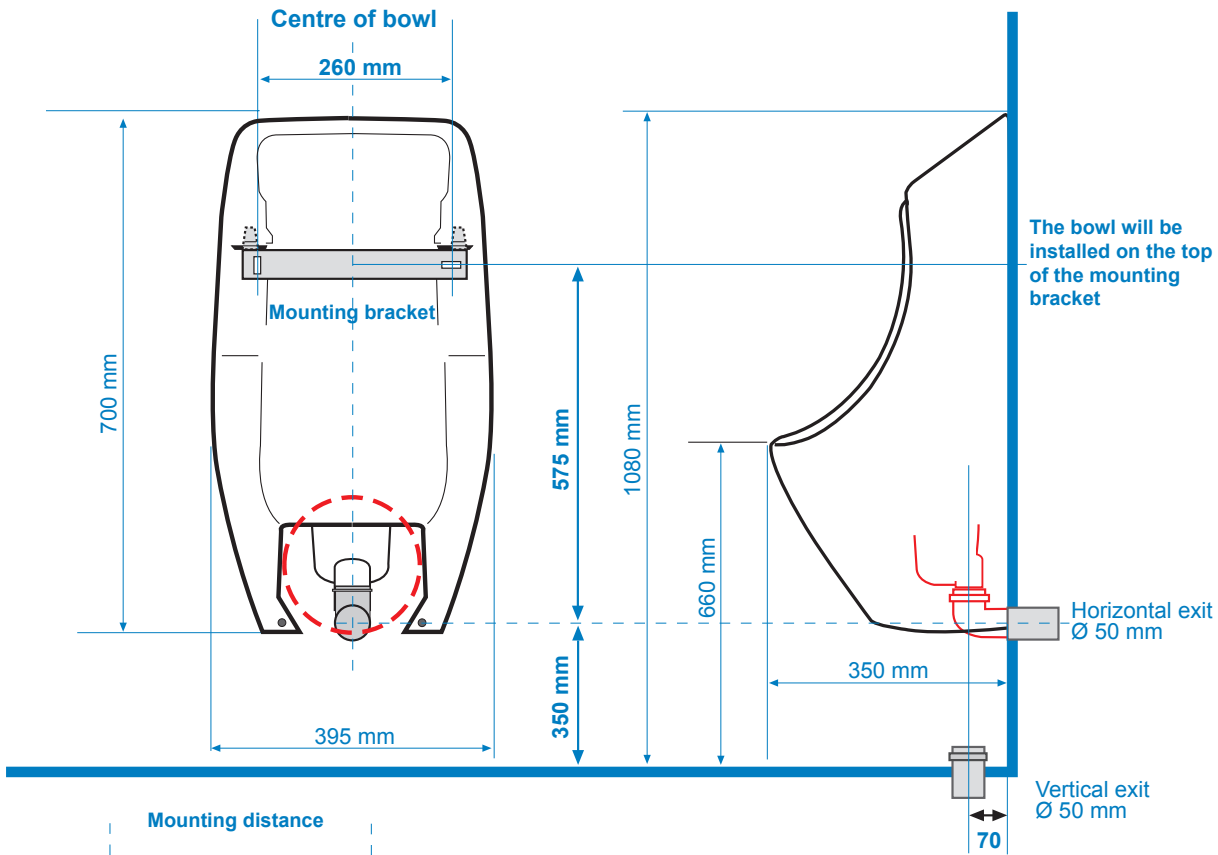


Installation Instruction

URIMAT ceramic bowl (Dimensions in mm)

URIMAT®

URIMAT ceramic



Connect the elbow 90° adapter Ø50mm at the exit of the stretch trap holder

URIMAT Mounting Kit
dowels, screws, sieve and mounting bracket
Art.-No. 57.002

Important:
Make sure all drainpipes are professionally cleaned when replacing existing waterflushed urinals!

IMPORTANT: EU-Standard min. downgrade for wastewater pipes = 2%, i.e. 2cm per metre drainpipe, ideally 3%, but 5% maximum!

URIMAT ceramic
with mounting bracket and -kit,
stretch trap insert, sieve and
90° elbow Conn Ø50,
Art.-No. 12.201



Couplers for Imperial waste pipe 1¼", 1½" & 2" available on request!
To shorten the coupler, the outer rims on either side can be cut-off.
The pipe of the supplied 90° elbow connector can also be cut to suit site conditions.

Connect waste pipe coupler with 1½" side to waste-outlet directly without 90° adapter if pipe is below urinal.

Note: please ensure waste-pipe connection is properly sealed!

