

*Clean water for domestic
and industrial use*

Vortex Fine Filters

With the unique, complete separation of dirt

- The unique construction allows the collection of rainwater and at the same time fine filtration and automatic dirt separation
- For the installation into horizontal drain-pipes below ground or inside buildings
- Stable construction, carries vehicles
- High water-collection efficiency
- Easy access to inspection opening
- Filter insert is dishwasher safe
- Absolute drainage reliability according to DIN EN 752



● The unique WISY fine filtration provides highly clean rainwater. By this sensitive components of the plant like the pump or the valves are protected from dirt.

● The rainwater from the roof enters the inlet connection in the side of the WFF through a horizontal drainpipe and

is widely spread over the cylinder-shaped filter mesh. There the rainwater from the roof is drawn through the vertical mesh walls of the fine filter by adhesion and then collected and fed through the outlet to the storage tank, whilst the dirt is washed into the drain with the remaining

water. More than 95% of the rainwater entering the WFF is filtered and collected by this principle.

● The units of the WFF 100 and WFF 150 contain a suitable extension tube to raise the inspection opening to the ground level.



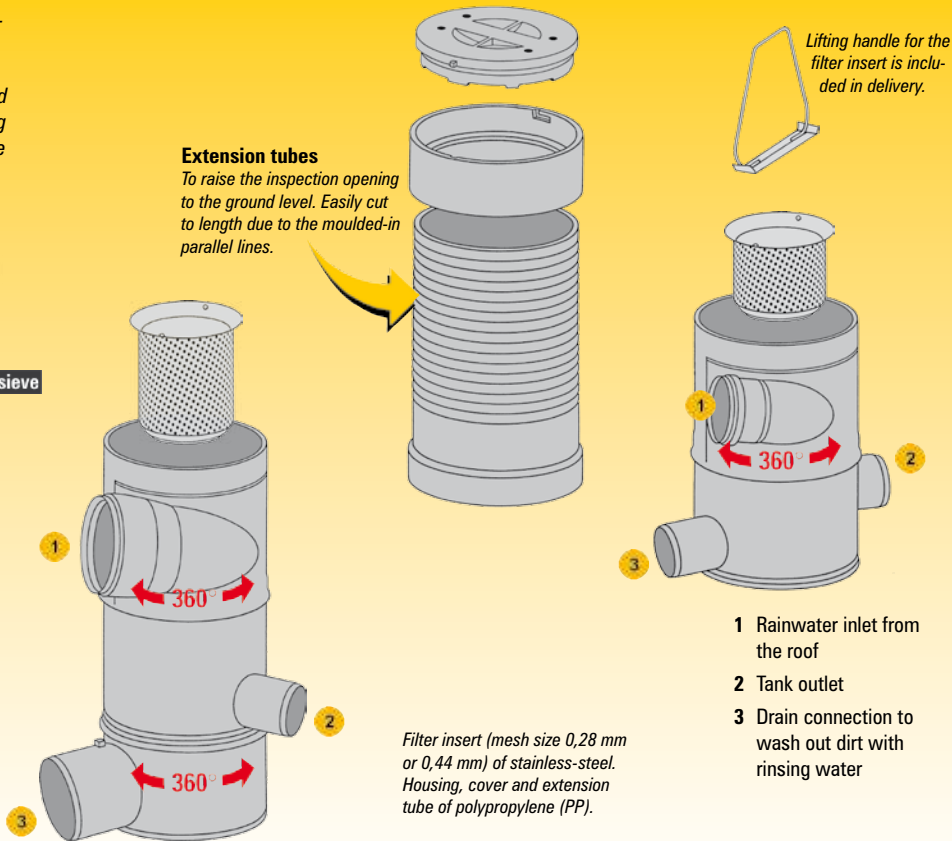
The WFF and the WFF 150

For roofs areas up to 200 m² / 500 m²

Seepage Sieve: For trapping the fine and coarse dirt from the rinsing water. Protects underground infiltration against being clogged up. The seepage



sieve has to be installed additionally beneath the filter insert (WFF 150, WFF 100).



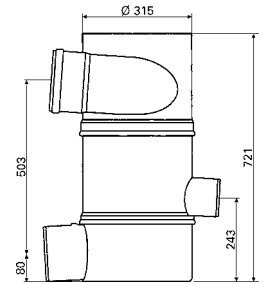
Extension tubes
To raise the inspection opening to the ground level. Easily cut to length due to the moulded-in parallel lines.

Lifting handle for the filter insert is included in delivery.

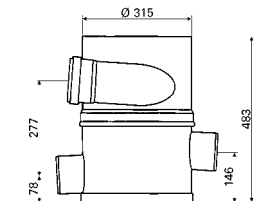
Filter insert (mesh size 0,28 mm or 0,44 mm) of stainless-steel. Housing, cover and extension tube of polypropylene (PP).

- 1 Rainwater inlet from the roof
- 2 Tank outlet
- 3 Drain connection to wash out dirt with rinsing water

WFF 150

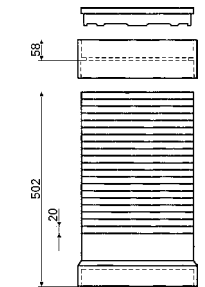


WFF 100



Extension tube

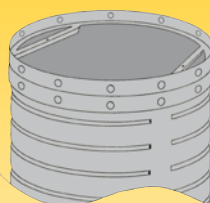
For WFF 100 / 150



The WFF 300

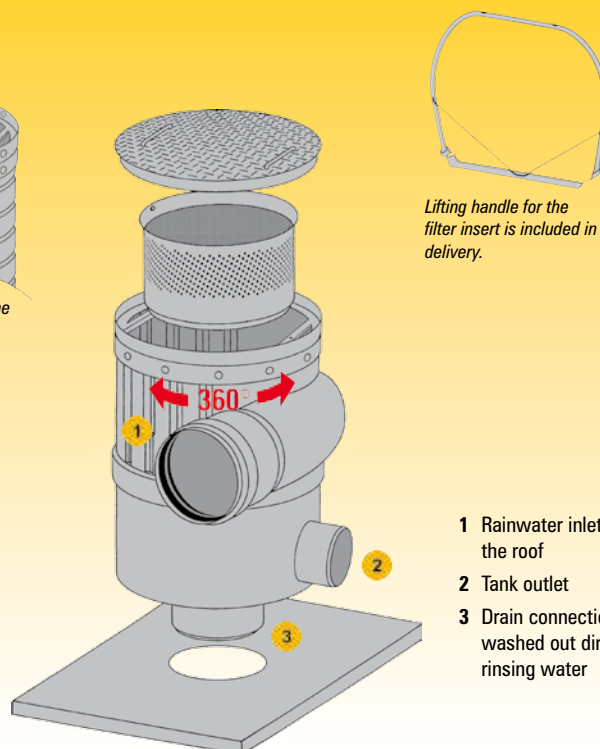
For roof areas of up to 3.000 m²

- Ideal for industrial and public buildings
- High filtration capacity up to a maximum of 16 litres per second
- Can also be used for mechanical cleaning of processing water
- If desired available with a cleaning injector (advisable for industrial use)
- Extension tube for inspection opening available up to 1,45 m length



Extension tube to raise the inspection opening up to ground level.

Filter insert (mesh size 0,38 mm) of stainless steel, housing of polypropylene, extension tube of polyethylene. Cover of aluminium (passable on feet) or stainless steel (carries vehicles)



Lifting handle for the filter insert is included in delivery.

- 1 Rainwater inlet from the roof
- 2 Tank outlet
- 3 Drain connection to washed out dirt with rinsing water

WFF 300

