

MULTISIPHON

- Exclusively from WISY!
- Odour seal
- Vermin guard
- Backflow prevention device
- Overflow with skim effect
- Gas barrier

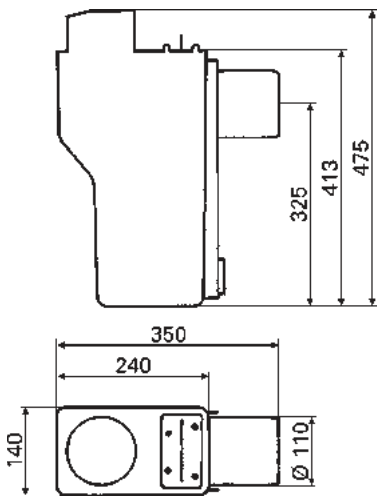
Multi-functional overflow for rainwater storage tank

Made of impact-resistant ABS plastic. For connection to the tank overflow (DN 100). Surface debris removed by skimming effect. Prevents storm drain odours from reaching the storage tank. Brace pipe prevents tilting or tipping. Large siphon volume 6 l (1.5 gallons).

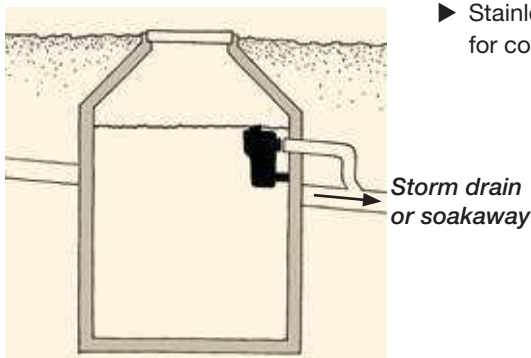
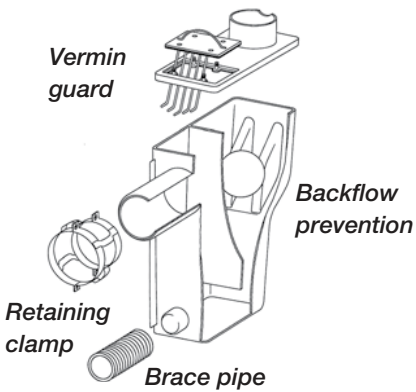
- ▶ Available in different versions:
With or without drain backflow prevention
with or without vermin guard

The version with integrated drain backflow prevention is delivered with a retaining clamp for connection to a DN 100 pipe.

The passive vermin guard is made of stainless steel and is easy to remove for maintenance.



Multisiphon and retaining clamp



Multisiphon

- ▶ Multisiphon with drain backflow prevention
without vermin guard
- ▶ Multisiphon with drain backflow prevention
with vermin guard
- ▶ Multisiphon without drain backflow prevention
without vermin guard
- ▶ Multisiphon without drain backflow prevention
with vermin guard

Item No.

- US 1004
- US 1002
- US 1005
- US 1003

Accessories

- ▶ Stainless-steel retaining clamp
for connection to a DN 100 pipe

Item No.

- US 1010