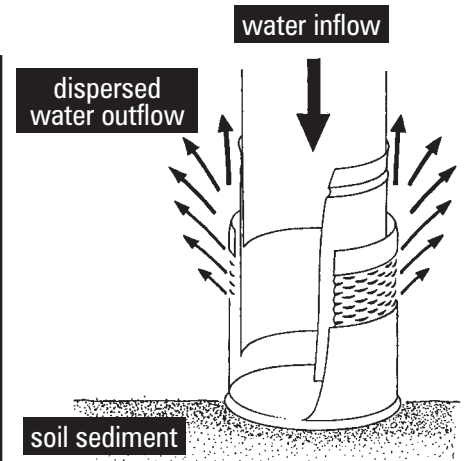
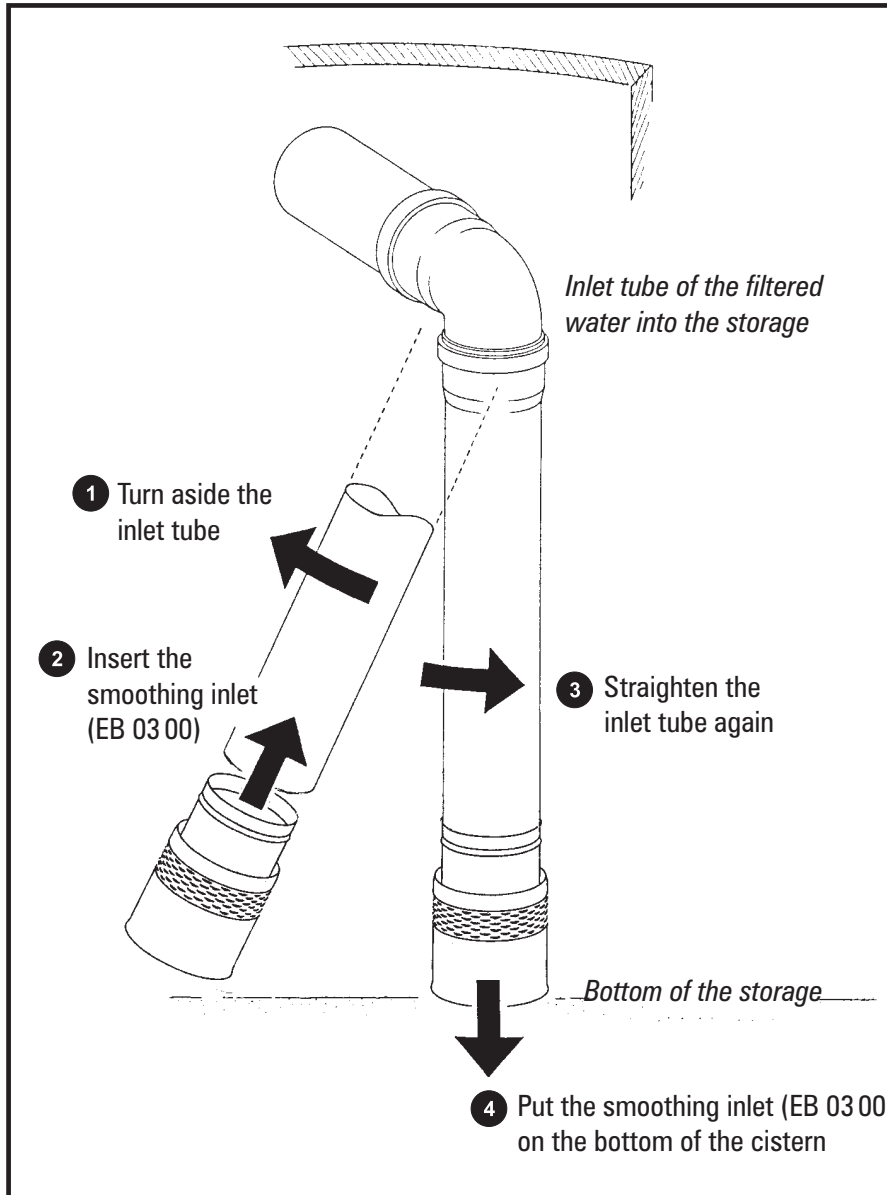


# Smoothing inlet

for pre-filtered water



The smoothing inlet (EB 0300) acts as a brake and slows the incoming water down. The construction provides at the same time a calmed, dispersed water outflow upwards into the storage. By this it prevents stirring up the soil sediment of the storage and distributes the fresh rainwater.

A real innovation of stainless-steel by WISY!

● Insert of the smoothing inlet ● In case of thin inlet tubes use a transition piece for example DN 100/70 or DN 100/50

