



**EBARA**

	Page
<b>- SPECIFICATIONS</b>	<b>200</b>
SELECTION CHART	201
TYPE KEY AND CURVE SPECIFICATIONS	202
PERFORMANCE CURVE JESX 5	203
PERFORMANCE CURVE JESX 6	204
PERFORMANCE CURVE JESX 8	205
<b>- CONSTRUCTIONS</b>	<b>300</b>
SECTIONAL VIEW	300
MECHANICAL SEAL	301
<b>- DIMENSIONS AND WEIGHT</b>	<b>400</b>
PUMP	400
PACKING	401
<b>- TECHNICAL DATA</b>	<b>500</b>
MOTOR DATA	500
NOISE DATA	500
<b>- INSTALLATION</b>	<b>600</b>

## SPECIFICATION

50Hz

Rev. F

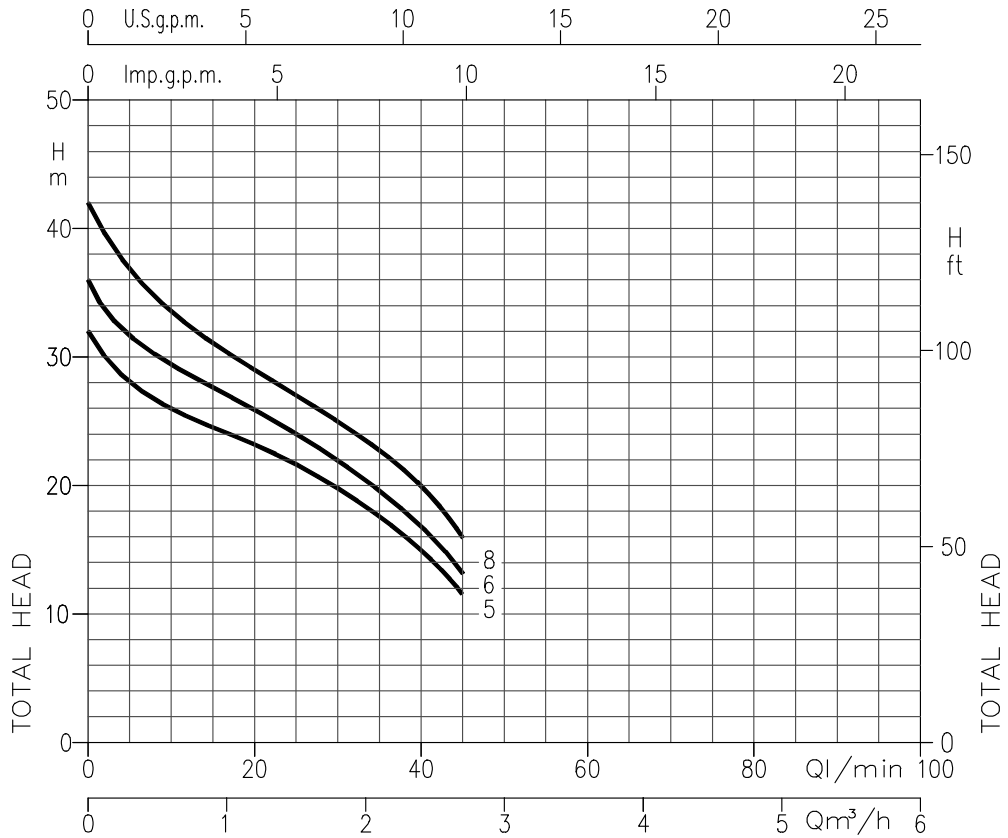
PUMP		
Liquid Handled	Type of liquid	Clean water
	Temperature [°C]	min. +5 max. +45
Maximum working pressure	[MPa]	0.6
Maximum suction depth	[m]	8
Construction	Impeller	Closed centrifugal type
	Shaft seal type	Mechanical seal
	Bearing	Sealed ball bearing
Pipe Connection	Suction [inch]	G 1" UNI ISO 228
	Discharge [inch]	G 1" UNI ISO 228
Material	Casing	AISI 304
	Impeller	PPE+PS glass fibre reinforced
	Casing cover	AISI 304
	Shaft seal	Ceramic/Carbon/NBR
	Shaft	AISI 303 (Wet extension)
	Stages	-
	Ejector	PPE+PS glass fibre reinforced
	Bracket	Aluminium
	Diffuser	PPE+PS glass fibre reinforced
Applicable standard of test		ISO 9906 – Annex A

MOTOR		
Type	Electric - TEFC	
	Single Phase	Three Phase
No. of Poles	2	
Rotation speed [min <sup>-1</sup> ]	≈ 2800	
Insulation Class	F	
Protection degree (CEI EN 60034-5)	IP 54 IP 55 (on request)	
Power rating	[kW]	0.37 ÷ 0.6
	[HP]	0.5 ÷ 0.8
Frequency [Hz]	50	
Voltage [V]	230 ±10%	230/400 ±10%
Capacitor	Built in	-
Over load protection	Built in	Provided by the user
Casing material	Aluminium	
Motor support	Aluminium	
Dimensions of cable entry	PG 11 (see dimensions page 400)	

SELECTION CHART

50Hz

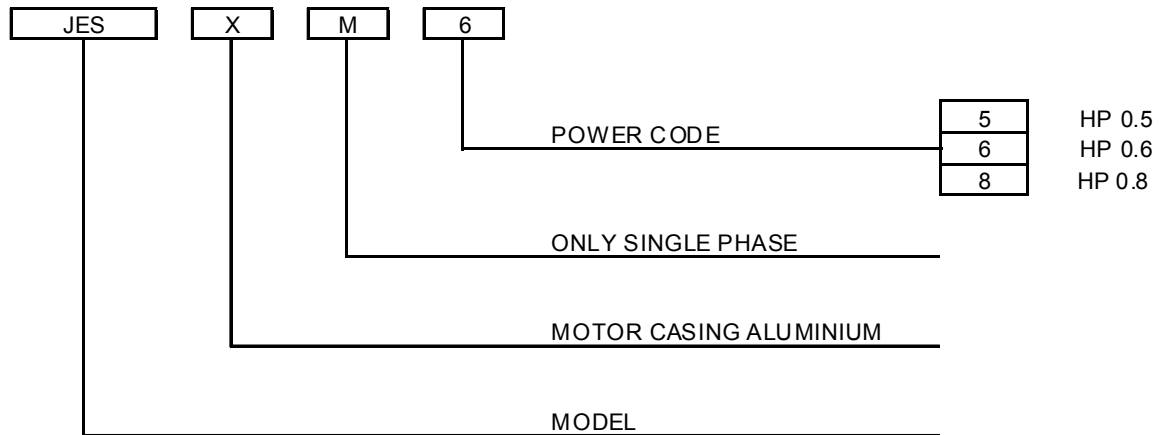
Rev. F



Pump Type		Power		Q=Capacity				
Single Phase	Three Phase	[kW]	[HP]	l/min	5	20	40	45
				m³/h	0.3	1.2	2.4	2.7
JESXM 5	JESX 5	0.37	0.5	32	28	23	15	11.5
JESXM 6	JESX 6	0.44	0.6	36	31.5	26	17	13.5
JESXM 8	JESX 8	0.6	0.8	42	37	29	20	16

H=Total manometric head in meters

**TYPE KEY**



**PERFORMANCE CURVE SPECIFICATIONS**

The specifications below qualify the curves shown on the following pages.

Tolerances according to ISO 9906 Annex A

The curves refer to effective speed of asynchronous motors at 50 Hz

Measurements were carried out with clean water at 20°C of temperature and with a kinematic viscosity of  $\nu = 1 \text{ mm}^2/\text{s}$  (1 cSt)

The NPSH curve is an average curve obtained in the same conditions of performance curves.

The continuous curves indicate the recommended working range. The dotted curve is only a guide.

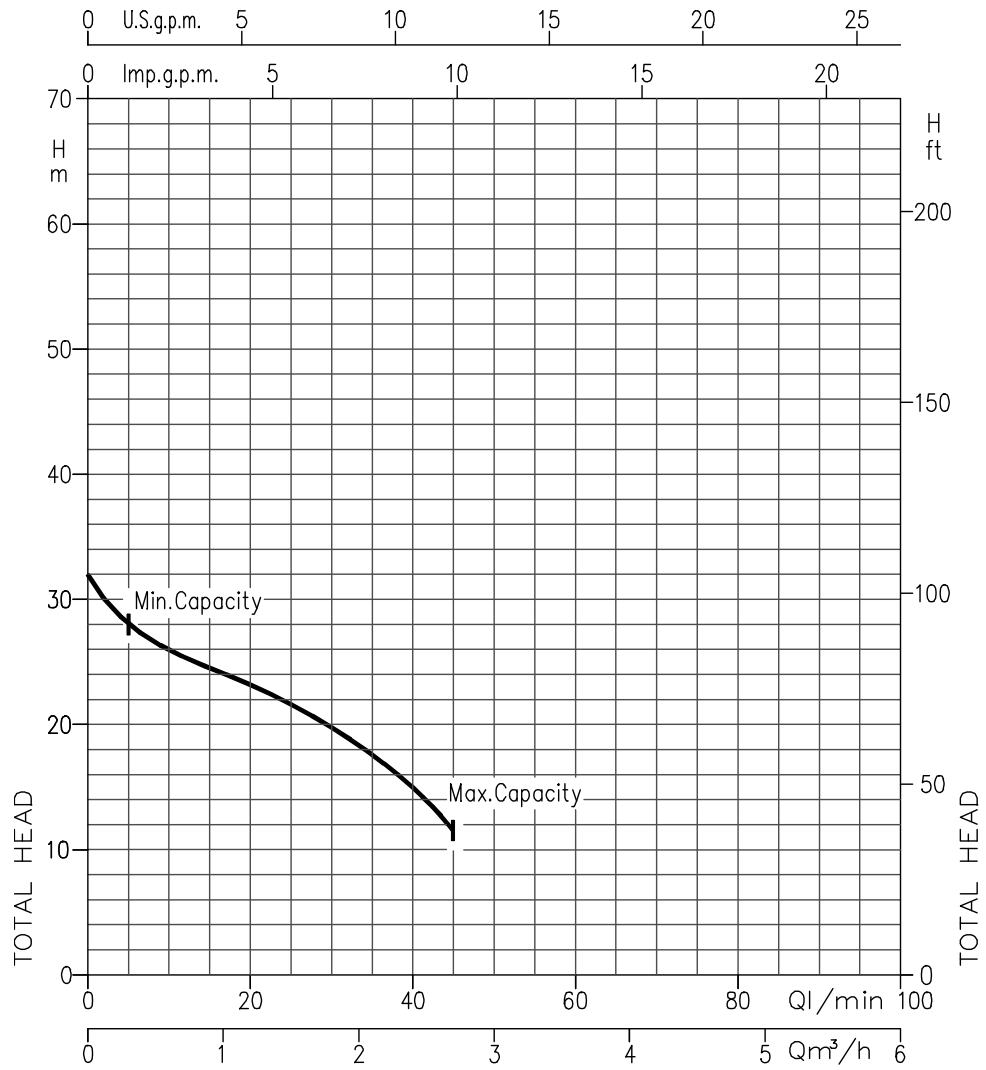
In order to avoid the risk of over-heating, the pumps should not be used at a flow rate below 10% of best efficiency point.

Symbols explanation:

Q = volume flow rate

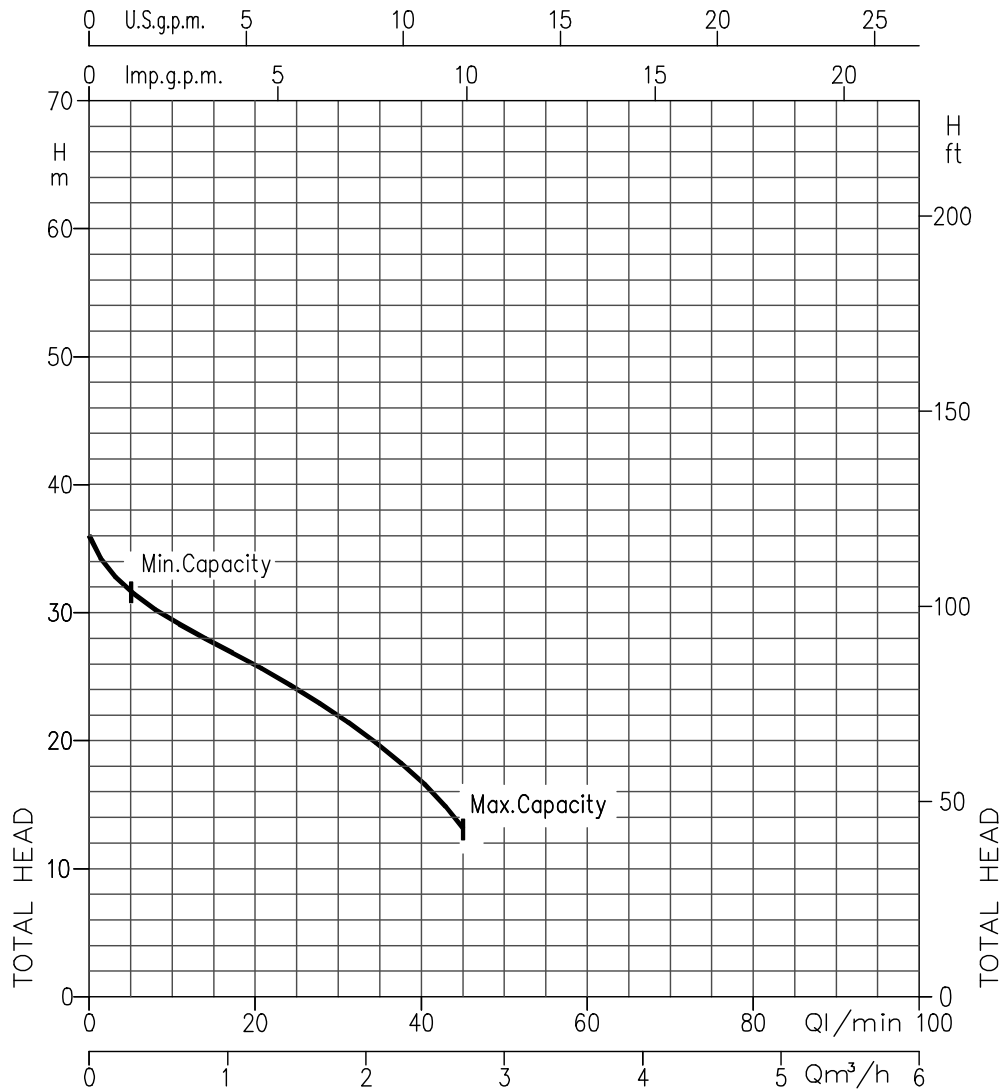
H = total head

JESX 5 (0.37 kW) - Impeller diameter = 104 mm



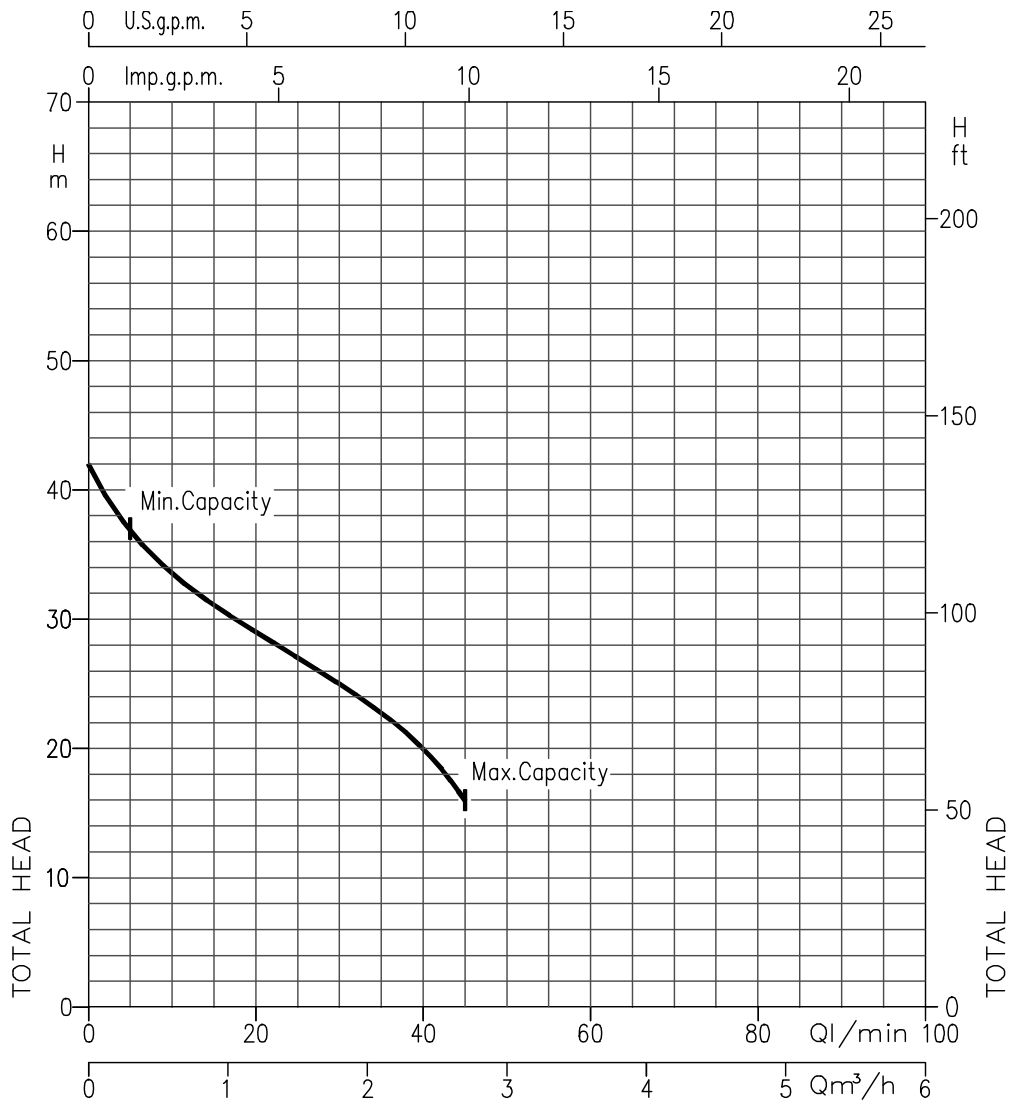
Rotation speed  $\approx 2800 \text{ min}^{-1}$   
Test standard: ISO 9906 – Annex A

JESX 6 (0.44 kW) - Impeller diameter = 104 mm



Rotation speed  $\approx 2800 \text{ min}^{-1}$   
Test standard: ISO 9906 – Annex A

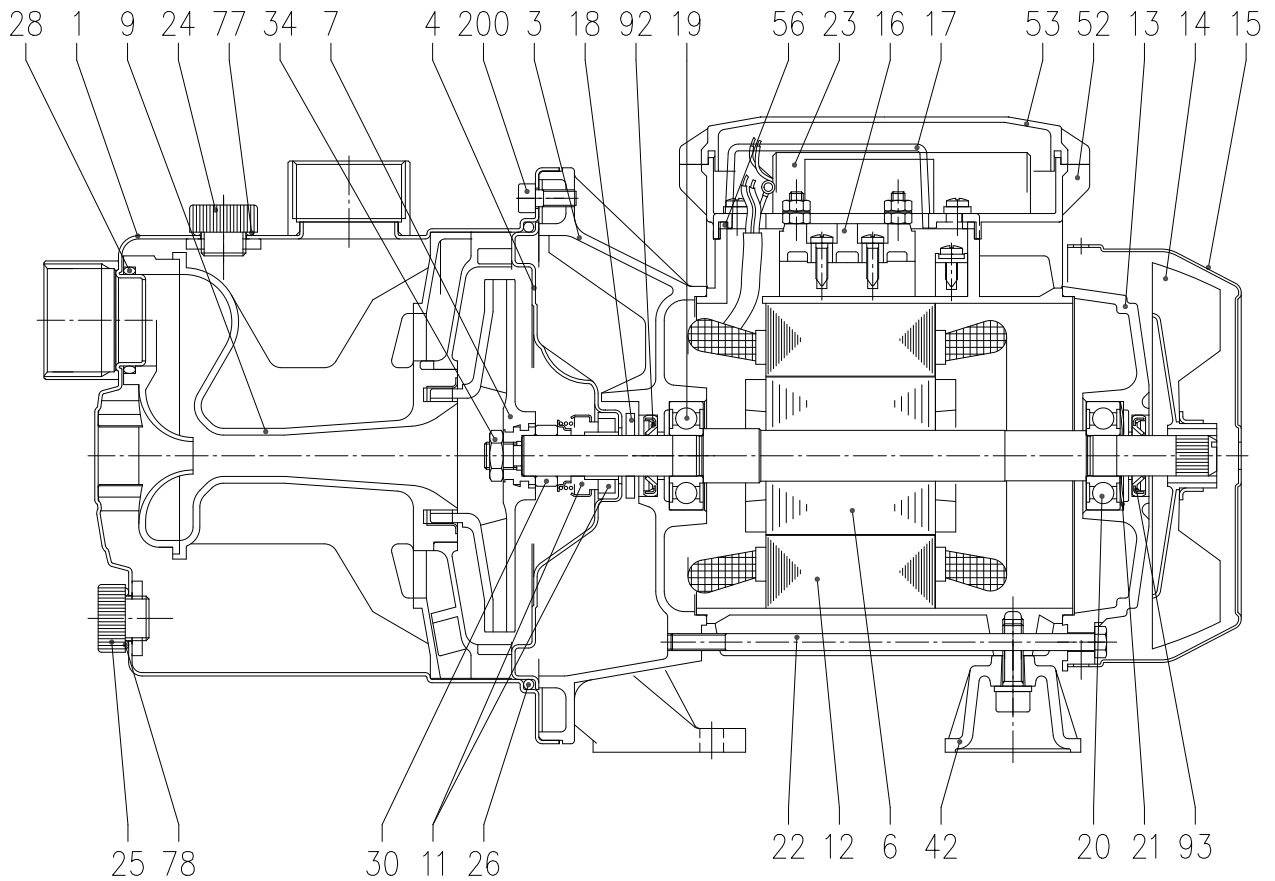
JESX 8 (0.6 kW) - Impeller diameter = 110 mm



Rotation speed  $\approx 2800 \text{ min}^{-1}$   
Test standard: ISO 9906 – Annex A



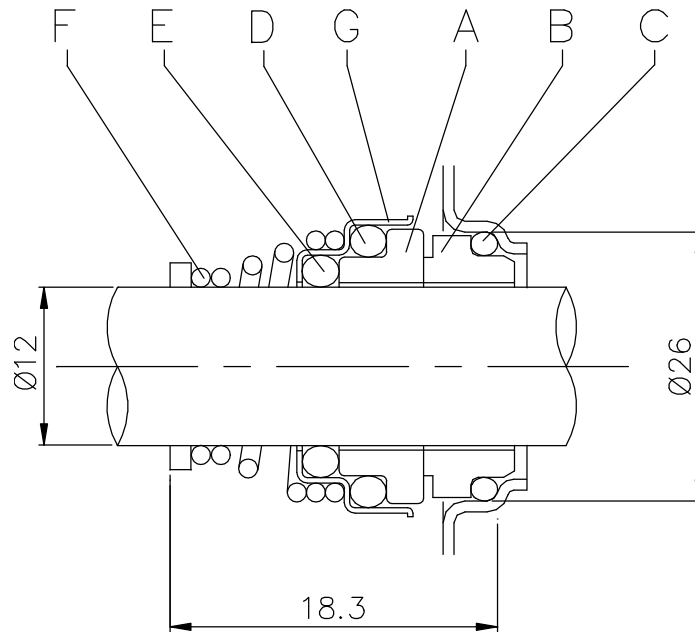
### SECTIONAL VIEW



N°	PART NAME	MATERIAL	Q. TY	N°	PART NAME	MATERIAL	Q. TY
1	Casing	AISI 304	1	22	Tie rod	Fe 42 Zincate	4
3	Motor bracket	Aluminium	1	23	Capacitor [1]	-	1
4	Casing cover	AISI 304	1	24	Priming plug	PA	1
6	Shaft with rotor	AISI 303 (Wet extension)	1	25	Drain plug	PA	1
7	Impeller	PPE+PS glass fibre reinforced	1	26	O-ring	NBR	1
9	Diffuser Venturi tube	PPE+PS glass fibre reinforced	1	28	O-ring	NBR	1
11	Mechanical seal	Carbon/Ceramic/NBR	1	30	Mechanical seal spacer	Brass	1
12	Motor frame with stator	-	1	34	Impeller nut (2)	AISI 304	1
13	Motor cover	Aluminium	1	42	Motor support	Aluminium	1
14	Fan	PA	1	52	Capacitor box [1]	ABS	1
15	Fan cover	Fe P04 Zincate	1	53	Capacitor box cover with gasket [1]	ABS+NBR	1
16	Terminal board	-	1	56	Box gasket	NBR	1
17	Terminal box cover [2]	Aluminium	1	77	O-ring	NBR	1
18	Splash ring	NBR	1	78	O-ring	NBR	1
19	Pump side ball bearing	-	1	92	Lip seal [3]	-	1
20	Fan side ball bearing	-	1	93	Lip seal [3]	-	1
21	Adjusting ring	Steel C70	1	200	Screw	Stainless steel A2 UNI7323	6

- [1] Only for single phase
- [2] Only for three phase
- [3] Only for IP55

MECHANICAL SEAL

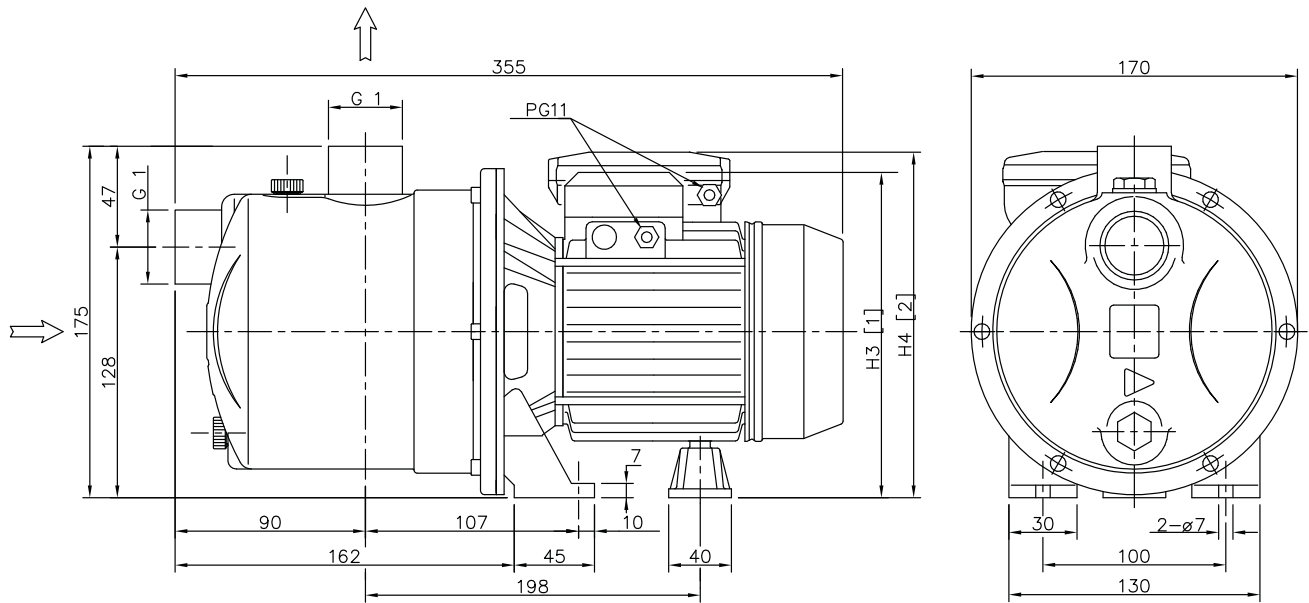


REF	PART NAME	MATERIAL Standard version (JESX)
A	Rotary seal ring	Ceramic
B	Stationary seal ring	Carbon graphite
C	O Ring	NBR
D	O Ring	NBR
E	O Ring	NBR
F	Self driving spring	AISI 316
G	Frame	AISI 304

BEARINGS

Pump type		Ball Bearing	
Single Phase	Three Phase	Pump side	Fan side
JESXM 5	JESX 5	6201 2RSH	6201 2RSH
JESXM 6	JESX 6	6201 2RSH	6201 2RSH
JESXM 8	JESX 8	6201 2RSH	6201 2RSH

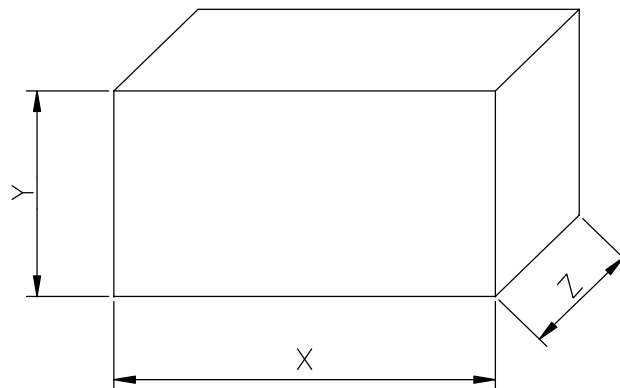
PUMP



Pump type JESX	Dimensions [mm]	
	H3	H4
5	175	200
6	175	200
8	175	200

[1] = Three phase  
 [2] = Single phase

## PACKING



Pump type		Packing [mm]			Weight [kgf]	
Single Phase	Three Phase	X	Y	Z	[1~]	[3~]
JESXM 5	JESX 5	182	220	372	5.1	5.1
JESXM 6	JESX 6	182	220	372	5.5	5.5
JESXM 8	JESX 8	182	220	372	6.1	6.1

[1~] Single phase

[3~] Three phase

### MOTOR DATA

Pump type		Power		Capacitor		Input [kW]		Full load current [A]			Locked rotor current [A]		
Single Phase	Three Phase	[kW]	[HP]	Single Phase [μF]	450 [V]	Single Phase	Three Phase	Single Phase 230 V	Three Phase 230 V	400 V	Single Phase 230 V	Three Phase 230 V	400 V
JESXM 5	JESX 5	0.37	0.5	10	450	0.44	0.43	2.1	1.5	0.85	6.3	6.4	3.7
JESXM 6	JESX 6	0.45	0.6	10	450	0.54	0.49	2.4	1.9	1.1	8.5	8.6	5.0
JESXM 8	JESX 8	0.6	0.8	12.5	450	0.63	0.58	3.0	2.25	1.3	10.6	10.7	6.2

### NOISE DATA

Pump type		Power		L <sub>pA</sub> - dB(A) *
Single Phase	Three Phase	[kW]	[HP]	
JESXM 5	JESX 5	0.37	0.5	<70
JESXM 6	JESX 6	0.45	0.6	
JESXM 8	JESX 8	0.6	0.8	

\* Mean value of several measures at 1m distance around the pump.

Tolerance ± 2.5 dB.

If you use this pump on suction condition, it tends to breathe the air from outside because the pressure in pump becomes vacuum condition when it stopped. So water in the pump sometimes fall down to breathe the air from pipe connection. If it is used to operate continuously under this condition, this is the cause of breakdown to overheat inside the pump.



So please install foot valve or check valve at suction pipe in order to prevent the pump from such a condition. And moreover will you please support the suction pipe and the delivery one to prevent the pump from leaning the weight of pipe.

