

Installation Instructions

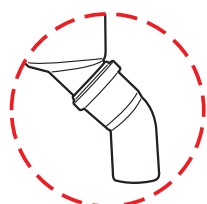
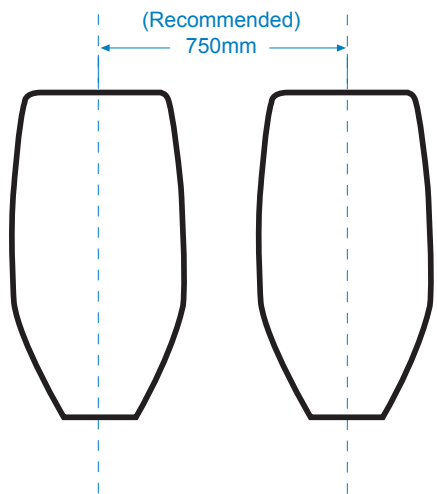
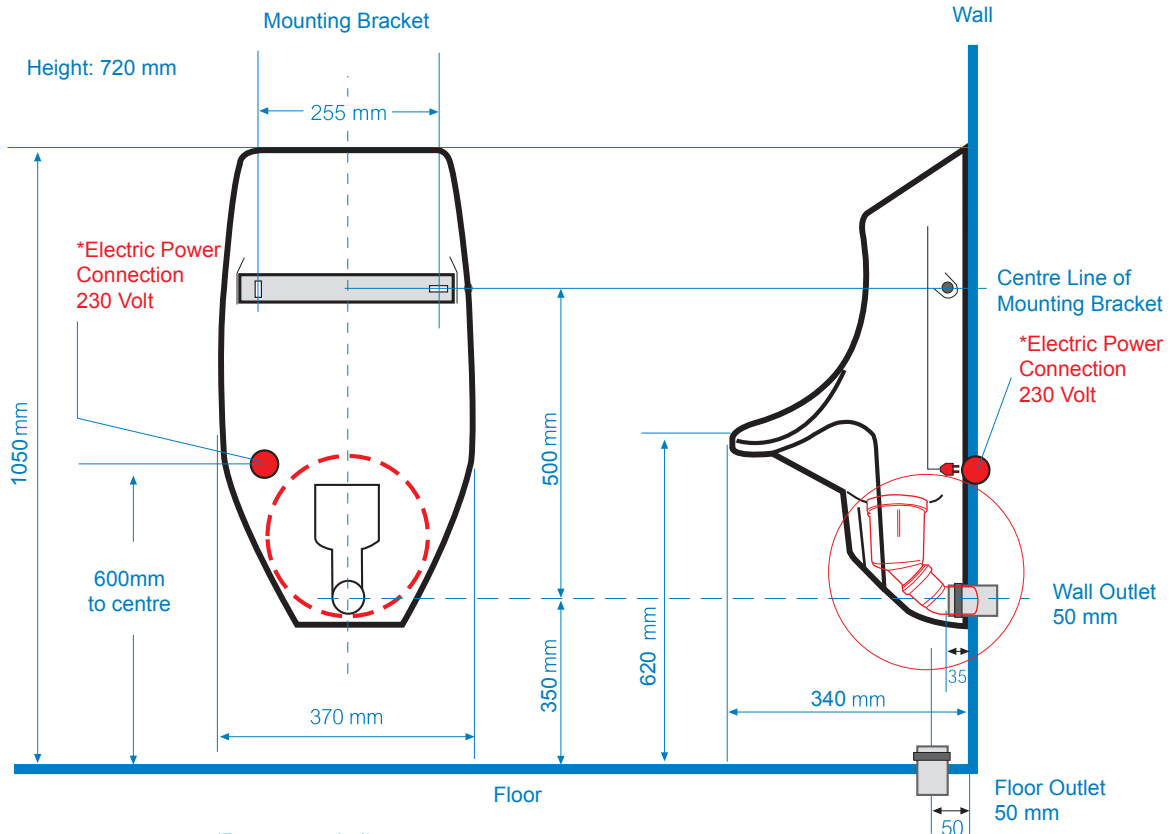


URIMAT Ireland - ROI & NI
 GEMGATE Limited
 White Bay House
 Whitegate, Co. Cork, IRELAND
 Ph +353 (0)21 4 66 26 53
 Fax +353 (0)21 4 66 11 12
 info@urimat.ie / www.gemgate.ie

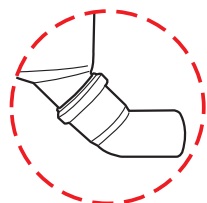
Important:

Make sure all the drainpipes are professionally cleaned when replacing existing urinals.

compactplus	14.001	Static Display
compactinfo	14.101	Backlit Display
compactvideo	14.971	Video Display



45 degree floor outlet adaptor supplied with the urinal



90 degree wall outlet adaptor supplied with the urinal

Installation Kit - Item No.57.004



*Electric connection only applies to compactinfo & compactvideo



Couplers for Irish Imperial waste pipe 1 1/4", 1 1/2" & 2" available on request. Outer rims of the coupler may have to be cut-off to ensure the urinal and wall-junction seal sit tightly up against the wall.

Note: please ensure waste-pipe connection is properly sealed!

IMPORTANT: EU-Standard min. downgrade for wastewater pipes = 2%, i.e. 2cm per metre drainpipe, ideally 3%, but 5% maximum!



URIMAT compactplus, compactinfo